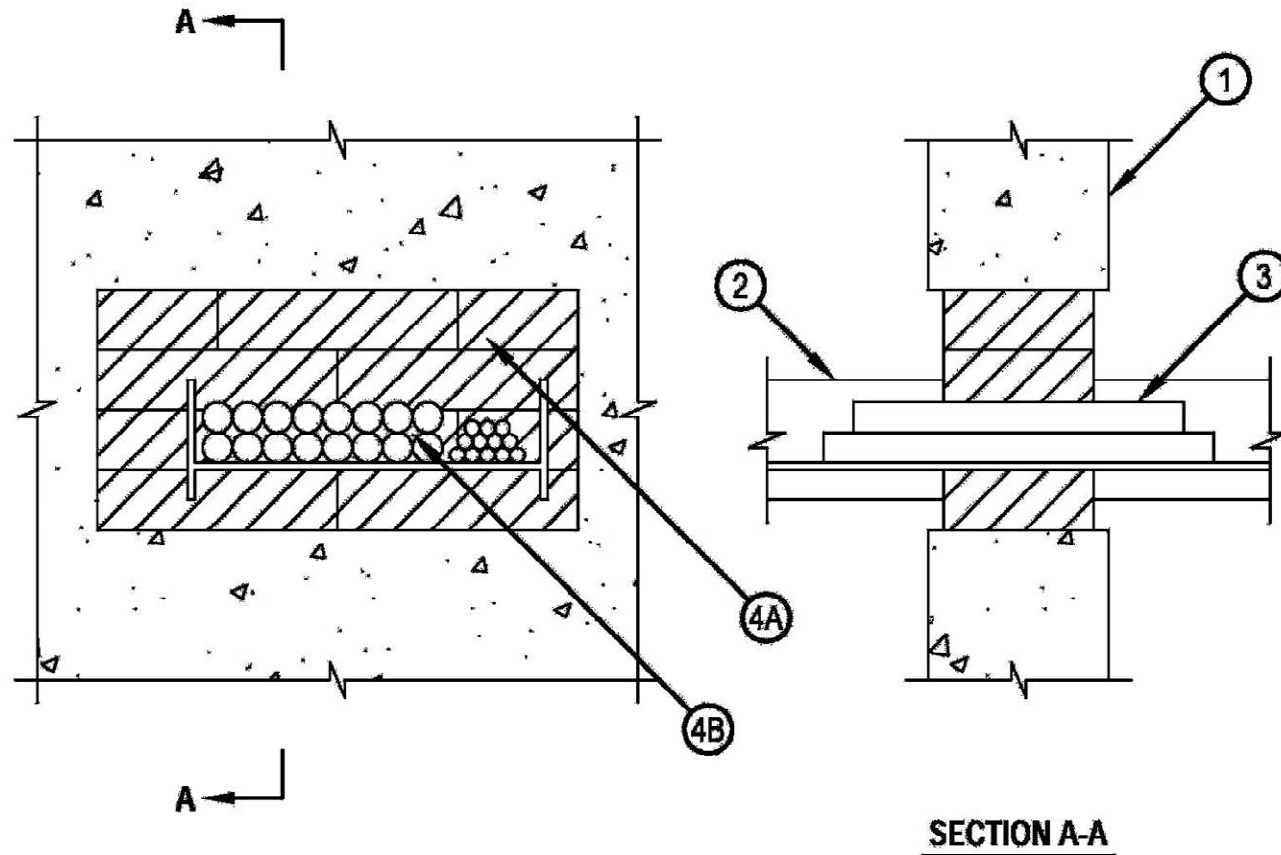


System No. W-J-6003

F Rating - 2 Hr
T Rating - 0 Hr

WJ 6003



SECTION A-A

System No. W-J-6003

F Rating - 2 Hr
T Rating - 0 Hr

WJ 6003

1. Wall Assembly — Min 5 in. thick reinforced lightweight or normal weight (100-150 pcf) concrete. Wall may also be constructed of any solid or filled UL Classified Concrete Blocks*. Max diam of opening is 128 sq in. with max dimension of 16 in.

See Concrete Blocks (CAZT) in the Fire Resistance Directory for names of manufacturers.

2. Optical Fiber/Communications Cable Raceways+ — Max 12 in wide by 4 in. deep communications cable raceway, formed from Acrylonitrile Butadiene Styrene (ABS). The annular space between the cable raceway and the periphery of the opening shall be min 0 in. (point contact) to max 4 in. Raceway to be rigidly supported on both sides of wall assembly.

2A. Cover Plate (Optional - Not Shown) — Sized to accommodate the raceway, formed from Acrylonitrile Butadiene Styrene (ABS). When cover plate extends through the firestop system, Fire Blocks shall be tightly packed within the raceway to completely fill the annular space and all voids filled, prior to the installation of the cover plate.

3. Fiber Optic Cables — Multiple fiber communication cable jacketed on the outside with polyvinyl chloride (PVC) and having a max outside diam of 1/4 in. Aggregate cross-sectional area of cables in raceway not to exceed 40 percent of the cross-sectional area of the raceway.

4. Firestop System — The firestop system shall consist of the following:

A. Fill, Void or Cavity Material* - Fire Blocks — Blocks installed with 5 in. dimension projecting through and centered within the opening. Blocks to completely fill height and width of opening. When optional cover plate is used with communications raceway, blocks shall be placed within the raceway at the point of the penetration to fully fill the void between cables and cover plate.

HILTI CONSTRUCTION CHEMICALS, DIV OF
HILTI INC — FS 657 Fire Block

B. Fill, Void or Cavity Material* — Fill material to be forced into interstices of cables, between cables and cable tray and in obvious openings between blocks and between blocks and the periphery of the opening to the max extent possible on both surfaces of wall.

HILTI CONSTRUCTION CHEMICALS, DIV OF
HILTI INC — FS-ONE Sealant, CP 618 Putty Stick or CP 620 Fire Foam

+Bearing the UL Listing Mark

*Bearing the UL Classification Mark