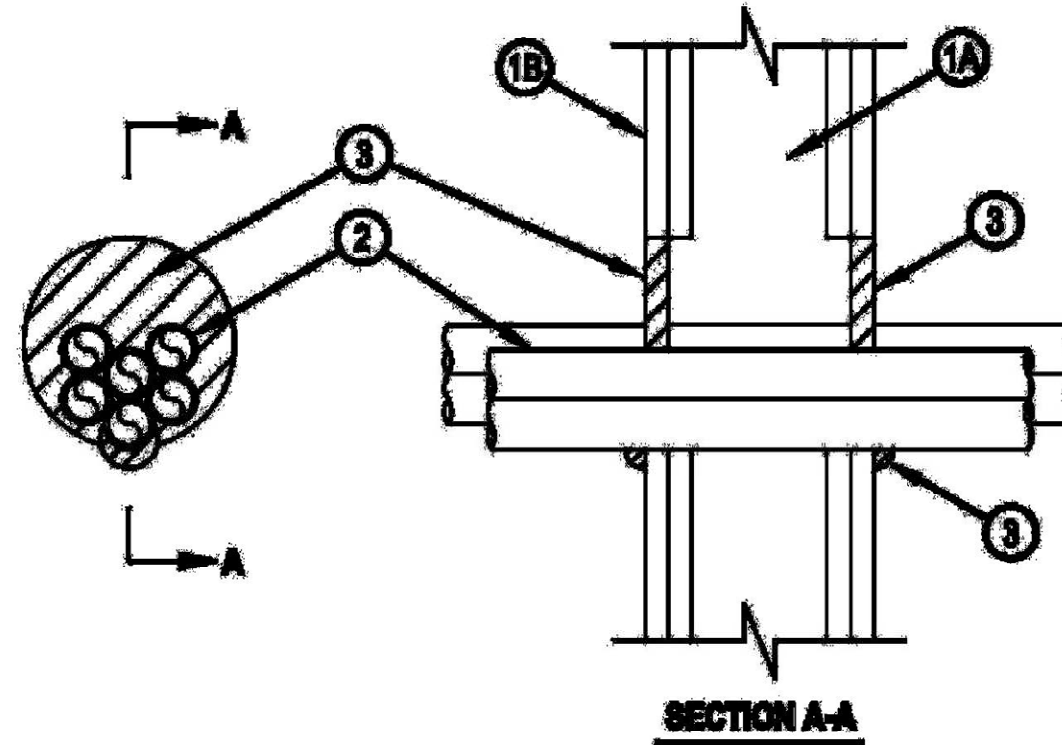


ANSI/UL1479 (ASTM E814)	CANULC 6115
F Ratings—1 and 2 Hr (See Item 1)	F Ratings—1 and 2 Hr (See Item 1)
T Ratings—0 and 1-1/2 Hr (See Item 1)	FT Ratings—0 and 1-1/2 Hr (See Item 1)
	FH Ratings—1 and 2 Hr (See Item 1)
	FTH Ratings—0 and 1-1/2 Hr (See Item 1)



**1. Wall Assembly**— The 1 or 2 hr fire-rated gypsum board/stud wall assembly shall be constructed of the materials and in the manner specified in the individual U300, U400, V400 or W400 Series Wall and Partition Designs in the UL Fire Resistance Directory and shall include the following construction features:

**A. Studs**— Wall framing may consist of either wood studs or steel channel studs. Wood studs to consist of nom 2 by 4 in. (51 by 102 mm) lumber spaced max 16 in. (406 mm) OC. Steel studs to be min 3-1/2 in. (89 mm) wide and spaced max 24 in. (610 mm) OC.

**B. Gypsum Board\***— Thickness, type, number of layers and orientation shall be as specified in the individual Wall and Partition Design. Max diam of opening is 5-1/2 in. (140 mm).

The hourly F and FH Ratings of the firestop system are equal to the hourly fire rating of the wall assembly in which it is installed. The hourly T, FT and FTH Ratings of the firestop system are 0 and 1-1/2 hr for 1 and 2 hr rated assemblies, respectively.

**2. Through Penetrants**— Max six nom 1 in. (25 mm) diam (or smaller) flexible steel conduits to be installed either concentrically or eccentrically within the firestop system. The annular space between the conduits and the periphery of the opening shall be min 0 in. (point contact) to max 3 in. (76 mm). Conduits to be rigidly supported on both sides of wall.

**3. Fill, Void or Cavity Material\***— Sealant— Min 5/8 in. (16 mm) thickness of sealant applied within annulus, flush with both surfaces of wall. A min 1/2 in. bead of sealant to be applied at the conduit/wall interface at the point contact location.

**HILTI CONSTRUCTION CHEMICALS, DIV OF HILTI INC**— FS-ONE Sealant or FS-ONE MAX Intumescent Sealant

\* Indicates such products shall bear the UL or cUL Certification Mark for jurisdictions employing the UL or cUL Certification (such as Canada), respectively.