

**HILTI** Firestop Systems  
Systèmes coupe-feu

Fire Rated Assembly / Assemblage Homologué

Product: **FS-one** Location: **Mixed Multiple**

System #: **WL-8065** Tel:

Installed by: **AIMS** Installation Date: **8/11/17**

Date:

1) \_\_\_\_\_

2) \_\_\_\_\_

3) \_\_\_\_\_

**AIMS**  
Construction Managers/General Contractors  
Digital-Document

**Hilti. Outperform. Outlast.**  
www.hilti.com • en español 1-800-879-5000 • Hilti (Canada) Corp. 1-800-383-4458 www.hilti.ca

MI10000032



Building: **Main Hospital**  
Floor/Level: **1<sup>st</sup> Level**  
Room: **Pre Op Soiled Linen B-124**

Product: **FS-One**  
HiLTi System: **WL-8065**  
Installer: **Chris Greene**

Date: **August 17, 2017**  
Install Date: **August 11, 2017**  
Facility: **Beaumont Farmington Hills**

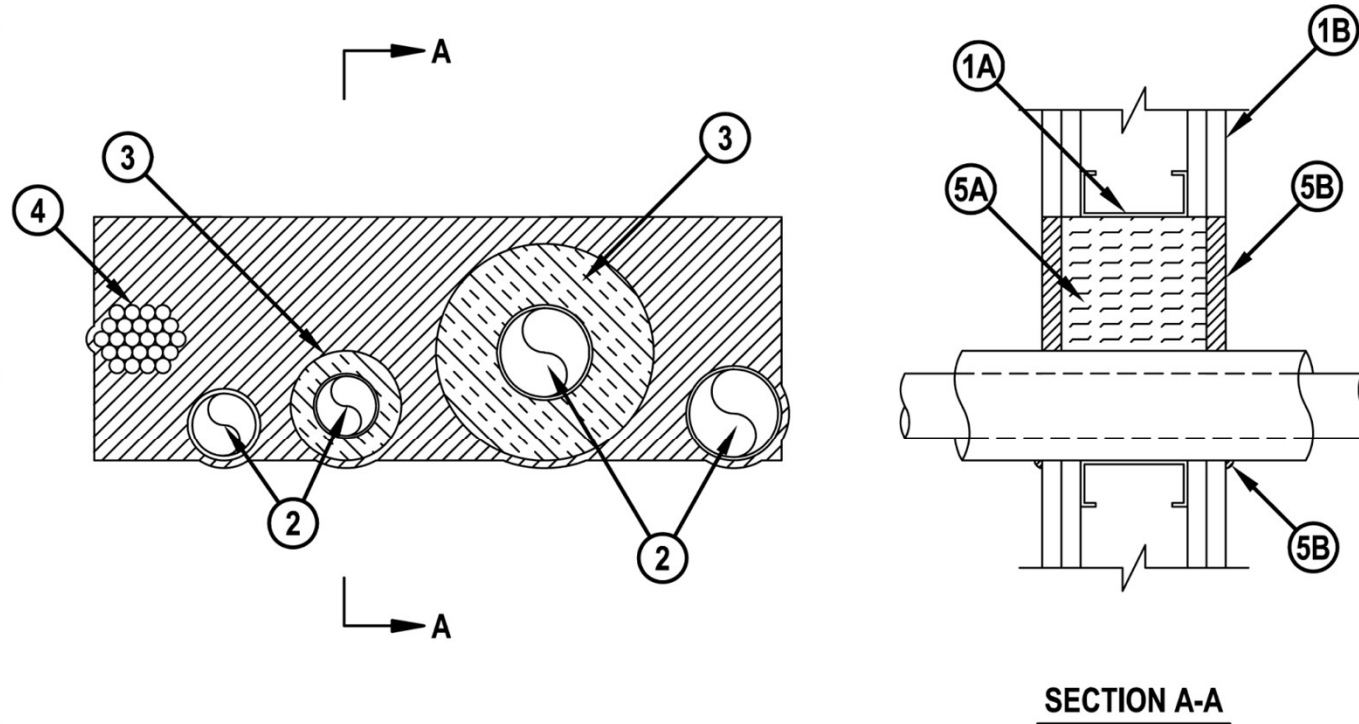


Classified by  
Underwriters Laboratories, Inc.  
to UL 1479 and CAN/ULC-S115

## System No. W-L-8065

ANSI/UL1479 (ASTM E814)	CAN/ULC S115
F Rating — 1 and 2 Hr (See Item 1)	F Rating — 1 and 2 Hr (See Item 1)
T Rating — 0 Hr	FT Rating — 0 Hr
	FH Rating — 1 and 2 Hr (See Item 1)
	FTH Rating — 0 Hr

WL 8065



System tested with a pressure differential of 2.5 Pa between the exposed and the unexposed surfaces with the higher pressure on the exposed side.

1. Wall Assembly — The 1 or 2 hr fire-rated gypsum board/stud wall assembly shall be constructed of the materials and in the manner specified in the individual U300, U400 or V400 Series Wall and Partition Designs in the UL Fire Resistance Directory and shall include the following construction features:

- Studs — Wall framing may consist of either wood studs or channel shaped steel studs. Wood studs to consist of nom 2 by 4 in. (51 by 102 mm) lumber spaced max 16 in. (406 mm) OC. Steel studs to be min 3-1/2 in. (89 mm) wide and spaced max 24 in. (610 mm) OC. Additional framing members shall be installed in stud cavity containing through-penetrating item to form a rectangular box around the penetrants.
- Gypsum Board\* — 5/8 in. (16 mm) thick with square or tapered edges. The gypsum board type, thickness, number of layers, fastener type and sheet orientation shall be as specified in the individual U300, U400 or V400 Wall and Partition Design. If the through penetrants are installed in a wood stud/gypsum board assembly, the max area of opening is 116 in.2 (748 cm2) with max dimension of 14-1/2 in. (368 mm). If the through penetrants are installed in a steel stud/gypsum board assembly, max area of opening is 182 in.2 (1174 cm2) with max dimension of 22-3/4 in. (578 mm) wide.  
The hourly F Rating of the firestop system is equal to the hourly fire rating of the wall assembly in which it is installed.



Reproduced by HILTI, Inc. Courtesy of  
Underwriters Laboratories, Inc.  
January 28, 2015

## System No. W-L-8065

WL 8065

2. Through-Penetrant — One or more pipes, conduit or tubes to be installed within the opening. The total number of through-penetrants is dependent on the size of the opening and the types and sizes of the penetrants. Any combination of the penetrants described below may be used provided that the following parameters relative to the annular spaces and the spacing between the through penetrants are maintained. The separation between the penetrants shall be min 1 in. (25 mm) to max 22 in. (560 mm). The annular space between penetrants and the periphery of opening shall be min 0 in. (0 mm, point contact) to max 22 in. (560 mm). Pipes, conduit or tubes to be rigidly supported on both sides of wall assembly. The following types and sizes of pipes, conduit or tubes may be used.

- Copper Tubing — Nom 3 in. (76 mm) diam (or smaller) Type L (or heavier) copper tube.
- Copper Pipe — Nom 3 in. (76 mm) diam (or smaller) Regular (or heavier) copper pipe.
- Steel Pipe — Nom 3 in. (76 mm) diam (or smaller) Schedule 10 (or heavier) steel pipe.
- Iron Pipe — Nom 3 in. (76 mm) diam (or smaller) cast or ductile iron pipe.
- Conduit — Nom 3 in. (76 mm) diam (or smaller) electric metallic tubing (EMT) or rigid steel conduit.
- Polyvinyl Chloride (PVC) Pipe — Nom 2 in. (51 mm) diam (or smaller) Schedule 40 cellular or solid core PVC pipe for use in closed (process or supply) or vented (drain, waste, or vent) piping systems.
- Chlorinated Polyvinyl Chloride (CPVC) Pipe — Nom 2 in. (51 mm) diam (or smaller) SDR 13.5 CPVC pipe for use in closed (process or supply) piping systems.
- Rigid Nonmetallic Conduit (RNC)+ — Nom 2 in. (51 mm) diam (or smaller) Schedule 40 PVC conduit installed in accordance with Articles 347 and 710 of the National Electrical Code (NFPA No. 70).
- Cross Linked Polyethylene Tubing — Nom 1 in. (25 mm) diam (or smaller) cross-linked polyethylene tubing for use in closed (process or supply) piping systems.

3. Pipe Insulation — One or more metallic penetrants (pipe or tubing) may be insulated with the following types of pipe coverings:

- Pipe Covering\* — Min 1 in. (25 mm) to max 2 in. (51 mm) thick hollow cylindrical heavy density min 3.5 pcf (56 kg/m<sup>3</sup>) glass fiber units jacketed on the outside with an all service jacket. Longitudinal joints sealed with metal fasteners or factory-applied self-sealing lap tape. Transverse joints secured with metal fasteners or with butt tape supplied with the product.  
See Pipe and Equipment Covering - Materials (BRGU) category in the Building Materials Directory for names of manufacturers. Any pipe covering material meeting the above specifications and bearing the UL Classification Marking with a Flame Spread Index of 25 or less and a Smoke Developed Index of 50 or less may be used.
- Tube Insulation-Plastics+ — Min 1/2 in. (13 mm) to max 3/4 in. (19 mm) thick acrylonitrile butadiene/polyvinyl chloride (AB/PVC) flexible foam furnished in the form of tubing.  
See Plastics+ (QMFZ2) category in the Plastics Recognized Component Directory for names of manufacturers. Any Recognized Component tube insulation material meeting the above specifications and having a UL 94 Flammability Classification of 94-5VA may be used.
- Pipe Covering Materials\* — Min 1 in. (25 mm) to max 2 in. (51 mm) thick unfaced mineral fiber pipe insulation having a nom density of 3.5 pcf (56 kg/m<sup>3</sup>) or heavier and sized to fit the outside diam of pipe or tube. Pipe insulation secured with min 18 SWG steel wire spaced 12 in. (305 mm) OC.  
IIG MINWOOL L L C — High Temperature Pipe Insulation 1200, High Temperature Pipe Insulation BWT and High Temperature Pipe Insulation Thermaloc

C1. Sheathing Material — (Not shown) — Optional, used in conjunction with Item 3C. Foil-scrim-kraft or all service jacket material shall be wrapped around the outer circumference of the pipe covering material (Item 3B) with the kraft side exposed. Longitudinal joints sealed with metal fasteners.  
See Sheathing Materials (BVDV) category in the Building Materials Directory for names of manufacturers. Any sheathing material meeting the above specifications and bearing the UL Classification Marking with a Flame Spread value of 25 or less and a Smoke Developed value of 50 or less may be used.

The annular space between the insulated penetrants and the periphery of the opening shall be min 0 in. (0 mm, point contact) to max 5 in. (127 mm). The separation between the insulated penetrants and the other penetrants shall be a min 1 in. (25 mm) to max 22 in. (560 mm).



Reproduced by HILTI, Inc. Courtesy of  
Underwriters Laboratories, Inc.  
January 28, 2015

## System No. W-L-8065

WL 8065

4. Cables — One max 3 in. (76 mm) diam bundle of cables installed within the opening and rigidly supported on both surfaces of wall. The annular space between the tightly-bundled cables and the periphery of the opening shall be min 0 in. (0 mm, point contact) to max 5 in. (127 mm). The separation between the cable bundle and the other penetrants shall be min 1 in. (25 mm) to max 22 in. (560 mm). Any combination of the following types and sizes of cables may be used:
- A. Max 25 pair No. 24 AWG telephone cable with polyvinyl chloride (PVC) insulation and jacket.
  - B. Max 7/C No. 12 AWG copper conductor power and control cable with PVC or cross-linked polyethylene (XLPE) insulation and PVC jacket.
  - C. Multiple fiber optical communication cable jacketed with PVC and having a max outside diam of 1/2 in. (13 mm).
  - D. Max 3/C No. 8 AWG with bare aluminum ground, PVC insulated steel Metal-Clad+ Cable currently Classified under the Through Penetrating Product\* (XHLY) category.
  - E. Max 3/C (with ground) No. 12 AWG (or smaller) nonmetallic sheathed (Romex) cable with PVC insulation and jacket materials.
  - F. RG/U coaxial cable with polyethylene (PE) insulation and polyvinyl chloride (PVC) jacket having a max outside diam of 1/2 in. (13 mm).
5. Firestop System — The firestop system shall consist of the following:
- A. Packing Material — In 2 hr fire rated wall assemblies, min 4-3/4 in. (121 mm) thickness of min 4 pcf (64 kg/m<sup>3</sup>) mineral wool batt insulation firmly packed into opening as a permanent form. In 1 hr fire rated wall assemblies, min 3-1/2 in. (89 mm) thickness of min 4 pcf (64 kg/m<sup>3</sup>) mineral wool batt insulation firmly packed into opening as a permanent form. Packing material recessed from both surfaces of the wall to accommodate the required thickness of fill material.
  - B. Fill, Void or Cavity Material\* — Sealant — Min 5/8 in. (16 mm) thickness of fill material applied within annulus, flush with both surfaces of wall. At the point contact location between through penetrants and gypsum board, a min 1/4 in. (6 mm) diam bead of fill material shall be applied at the gypsum board/through penetrant interface on both surfaces of wall.  
HILTI CONSTRUCTION CHEMICALS, DIV OF HILTI INC — FS-ONE Sealant or FS-ONE MAX Intumescent Sealant

\* Indicates such products shall bear the UL or cUL Certification Mark for jurisdictions employing the UL or cUL Certification (such as Canada), respectively.

+ Bearing the UL Listing Mark

# Bearing the UL Recognized Component Mark



**Hilti Firestop Systems**

Reproduced by HILTI, Inc. Courtesy of  
Underwriters Laboratories, Inc.  
January 28, 2015